

76-AR SERIES STAINLESS STEEL STD. PORT BALL VALVE W/ ACTUATOR READY ISO MOUNTING PAD

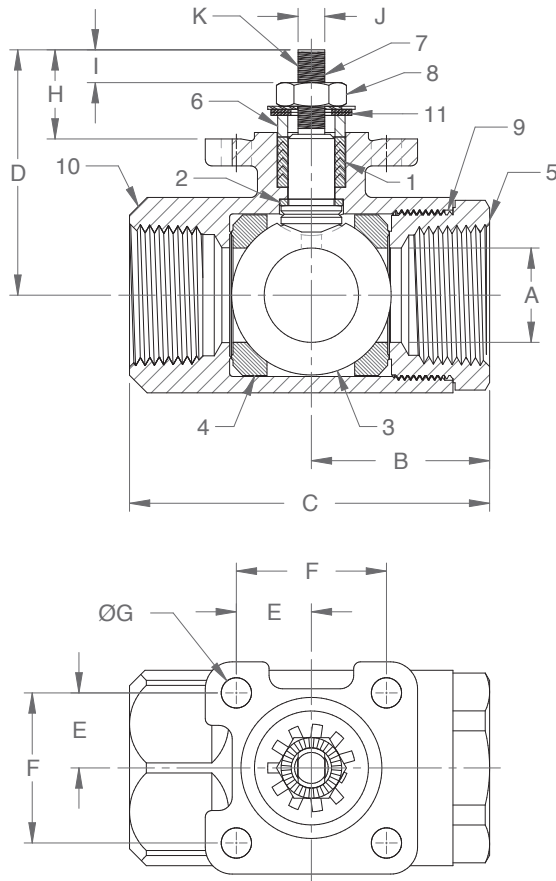
Female NPT Thread, 1/4"-1" 2000 CWP (psig), 1.25"-2" 1500 CWP (psig), 2.5"-3" 1000 CWP (psig). Cold Non-Shock.
250 psig Saturated Steam. (See referenced P/T chart)
Vacuum Service to 29 inches Hg.
MSS SP-110 compliant.



FEATURES

- Multi-piece packing set
- ISO 5211 mounting pad
- Blowout-proof stem design

- Fire safe "by design" (requires -24 suffix)
- Adjustable packing gland
- Live loaded packing



OPTIONS AVAILABLE: (MORE INFORMATION IN SECTION J)

- Minimum quantities apply
- To specify an option, replace the "01" standard suffix with the suffix of the option.
- To specify multiple options, replace the "01" suffix with the desired suffixes in the numerical order shown below. NOTE: Not all suffixes can be combined together.

| (SUFFIX) | OPTION | SIZES |
|----------|--|------------|
| -01 | Standard Configuration | All |
| -14- | Vented Ball | 1/4" to 3" |
| -24- | Graphite packing (fire safe "by design") | 1/4" to 3" |
| -27- | Latch Lock Handle | 1/4" to 2" |
| -35- | PTFE Seats | 1/4" to 3" |
| -49- | No Lubrication. Assembled Dry. | 1/4" to 3" |
| -57- | Oxygen Cleaned | 1/4" to 3" |

STANDARD MATERIAL LIST

| | PART | MATERIAL |
|----|----------------------|--|
| 1 | Stem packing | MPTFE |
| 2 | Stem bearing | PEEK/PTFE |
| 3 | Ball | 316 SS |
| 4 | Seat (2) | MPTFE |
| 5 | Retainer | A276-316 (1/4" to 1") A351-CF8M (1.25" to 3") |
| 6 | Gland | A276-316 |
| 7 | Stem | A276-316 |
| 8 | Jam nut | SS |
| 9 | Body seal | PTFE (1.25" to 3") |
| 10 | Body | A351-CF8M |
| 11 | Bellville Washers(s) | Stainless Steel |

Pressure/Temperature Ratings -
Page M-14, Graph No. 14 (1/4" to 1")
Page M-13, Graph No. 12 (1.25" to 2")
Page M-12, Graph No. 8 (2.5" to 3")

DIMENSIONS

| PRODUCT NUMBER | SIZE | A | B | C | D | E | F | G | H | I | J (FLATS) | K (THREADS) UNF | WT. |
|----------------|-------|------|------|------|------|------|------|------|------|------|-----------|-----------------|-------|
| 76-AR1-64 | 1/4" | 0.37 | 1.02 | 2.04 | 1.40 | 0.59 | 1.17 | 0.28 | 0.61 | 0.18 | .247/.249 | 3/8-24 | 0.52 |
| 76-AR2-64 | 3/8" | 0.37 | 1.02 | 2.04 | 1.40 | 0.59 | 1.17 | 0.28 | 0.61 | 0.18 | .247/.249 | 3/8-24 | 0.48 |
| 76-AR3-64 | 1/2" | 0.50 | 1.12 | 2.23 | 1.54 | 0.59 | 1.17 | 0.28 | 0.61 | 0.16 | .247/.249 | 3/8-24 | 0.58 |
| 76-AR4-64 | 3/4" | 0.68 | 1.47 | 2.96 | 2.16 | 0.70 | 1.39 | 0.28 | 0.84 | 0.37 | .247/.249 | 3/8-24 | 1.26 |
| 76-AR5-64 | 1" | 0.87 | 1.66 | 3.34 | 2.28 | 0.70 | 1.39 | 0.28 | 0.82 | 0.37 | .247/.249 | 3/8-24 | 1.62 |
| 76-AR6-64 | 1.25" | 1.00 | 2.00 | 4.00 | 2.92 | 0.98 | 1.95 | 0.34 | 1.16 | 0.37 | .370/.372 | 5/8-18 | 3.22 |
| 76-AR7-64 | 1.5" | 1.25 | 2.18 | 4.34 | 3.16 | 0.98 | 1.95 | 0.34 | 1.16 | 0.37 | .370/.372 | 5/8-18 | 4.06 |
| 76-AR8-64 | 2" | 1.50 | 2.75 | 5.43 | 3.32 | 0.98 | 1.95 | 0.34 | 1.16 | 0.37 | .370/.372 | 5/8-18 | 6.18 |
| 76-AR9-64 | 2.5" | 2.00 | 3.12 | 6.25 | 3.85 | 0.98 | 1.95 | 0.34 | 1.16 | 0.37 | .370/.372 | 5/8-18 | 12.96 |
| 76-AR0-64 | 3" | 2.50 | 3.37 | 6.75 | 4.18 | 0.98 | 1.95 | 0.34 | 1.16 | 0.37 | .370/.372 | 5/8-18 | 17.06 |

The listed C_v “factors” are derived from actual flow testing, in the Apollo® Ball Valve Division, Conbraco Industries, Inc., Pageland, South Carolina. These tests were completed using standard “off the shelf” valves with no special preparation and utilizing standard schedule 40 pipe. It should be understood that these factors are for the valve only and also include the connection configuration. The flow testing is done utilizing water as a fluid media and is a direct statement of the gallons of water flowed per minute with a 1 psig pressure differential across the valve/connection unit. Line pressure is not a factor. Because the C_v is a factor, the formula can be used to estimate flow of most media for valve sizing.

FLOW OF LIQUID

$$Q = C_v \sqrt{\frac{\Delta P}{SpGr}}$$

$$\text{or } \Delta P = \frac{(Q)^2 (SpGr)}{(C_v)^2}$$

WHERE:

- Q = Flow in US gpm
- ΔP = Pressure drop (psig)
- SpGr = Specific gravity at flowing temperature
- C_v = Valve constant

FLOW OF GAS

$$Q = 1360 C_v \sqrt{\frac{(\Delta P) (P_2)}{(SpGr) (T)}}$$

$$\text{or } \Delta P = \frac{5.4 \times 10^{-7} (SpGr) (T) (Q)^2}{(C_v)^2 (P_2)}$$

WHERE:

- Q = Flow in SCFH
- ΔP = Pressure drop (psig)
- SpGr = Specific gravity (based on air = 1.0)
- P2 = Outlet pressure-psia (psig + 14.7)
- T = (temp. °F + 460)
- C_v = Valve constant

CAUTION: The gas equation shown, is valid at very low pressure drop ratios. The gas equation is NOT valid when the ratio of pressure drop (ΔP) to inlet pressure (P1) exceeds 0.02.

NOTE: Only use the gas equation shown if (P1-P2)/P1 is less than 0.02.

Cv FACTORS FOR APOLLO VALVES (continued on M-4)

| VALVE | SIZE (IN.) | | | | | | | | | | | | | | |
|--------------------------|------------|-----|-----|-----|----|------|-----|-----|-----|-----|-----|----|----|----|----|
| | 1/4 | 3/8 | 1/2 | 3/4 | 1 | 1.25 | 1.5 | 2 | 2.5 | 3 | 4 | 6 | 8 | 10 | 12 |
| 70B-140 Series | 8.4 | 7.2 | 15 | 30 | 43 | 48 | 84 | 108 | 190 | 370 | 670 | -- | -- | -- | -- |
| 70-100/200 Series | 8.4 | 7.2 | 15 | 30 | 43 | 48 | 84 | 108 | 190 | 370 | 670 | -- | -- | -- | -- |
| 70-300/400 Series | -- | -- | 15 | 30 | 43 | 48 | 84 | 108 | -- | -- | -- | -- | -- | -- | -- |
| 70-600 Series | 2.3 | 4.5 | 5.4 | 12 | 14 | 21 | 34 | 47 | -- | -- | -- | -- | -- | -- | -- |
| 70-800 Series | 8.4 | 7.2 | 15 | 30 | 43 | 48 | 84 | -- | -- | -- | -- | -- | -- | -- | -- |
| 71-AR Series | -- | -- | -- | 30 | 43 | 48 | 84 | 108 | 190 | 370 | -- | -- | -- | -- | -- |
| 71-100/200 Series | -- | -- | -- | 30 | 43 | 48 | 84 | 108 | 190 | 370 | -- | -- | -- | -- | -- |
| 72-100/900 Series | -- | -- | 26 | 48 | 65 | 125 | 170 | 216 | -- | -- | -- | -- | -- | -- | -- |
| 72-1xx-A/72-9xx-A Series | -- | -- | 26 | 48 | 65 | 125 | 170 | 245 | -- | -- | -- | -- | -- | -- | -- |
| 73A-100 Series | 8.4 | 7.2 | 15 | 30 | 43 | 48 | 84 | 108 | -- | -- | -- | -- | -- | -- | -- |
| 73-300/400 Series | -- | -- | 26 | 48 | 65 | 125 | 170 | 216 | -- | -- | -- | -- | -- | -- | -- |
| 74-100 Series | 8.4 | 7.2 | 15 | 30 | 43 | 48 | 84 | 108 | 190 | 370 | 670 | -- | -- | -- | -- |
| 75-100 Series | 8.4 | 7.2 | 15 | 30 | 43 | 48 | 84 | 108 | 190 | 370 | 670 | -- | -- | -- | -- |
| 76-AR Series | 8.4 | 7.2 | 15 | 30 | 43 | 48 | 84 | 108 | 190 | 370 | 670 | -- | -- | -- | -- |
| 76F-100 Series | 8.1 | 15 | 15 | 51 | 68 | 125 | 177 | 389 | -- | -- | -- | -- | -- | -- | -- |
| 76FJ-100 Series | 8.1 | 15 | 15 | 51 | 68 | 125 | 177 | 389 | -- | -- | -- | -- | -- | -- | -- |
| 76FK-100 Series | 8.1 | 15 | 15 | 51 | 68 | 125 | 177 | 389 | -- | -- | -- | -- | -- | -- | -- |
| 76-100 Series | 8.4 | 7.2 | 15 | 30 | 43 | 48 | 84 | 108 | 190 | 370 | -- | -- | -- | -- | -- |
| 76-300/400 Series | -- | -- | 26 | 48 | 65 | 125 | 170 | 216 | -- | -- | -- | -- | -- | -- | -- |
| 76-600 Series | 2.3 | 4.5 | 5.4 | 12 | 14 | 21 | 34 | 47 | -- | -- | -- | -- | -- | -- | -- |
| 76J-100 Series | 8.4 | 7.2 | 15 | 30 | 43 | 48 | 84 | 108 | 190 | 370 | -- | -- | -- | -- | -- |
| 76J-AR Series | 8.4 | 7.2 | 15 | 30 | 43 | 48 | 84 | 108 | 190 | 370 | 670 | -- | -- | -- | -- |
| 76K-100 Series | 8.4 | 7.2 | 15 | 30 | 43 | 48 | 84 | 108 | 190 | 370 | -- | -- | -- | -- | -- |
| 76K-AR Series | 8.4 | 7.2 | 15 | 30 | 43 | 48 | 84 | 108 | 190 | 370 | 670 | -- | -- | -- | -- |
| 7K-100 Series | -- | -- | 15 | 51 | 68 | 125 | 177 | 389 | 503 | -- | -- | -- | -- | -- | -- |
| 77-AR Series | 8.1 | 15 | 15 | 51 | 68 | -- | 177 | 389 | -- | -- | -- | -- | -- | -- | -- |

FLOW DATA FOR APOLLO® BALL VALVES

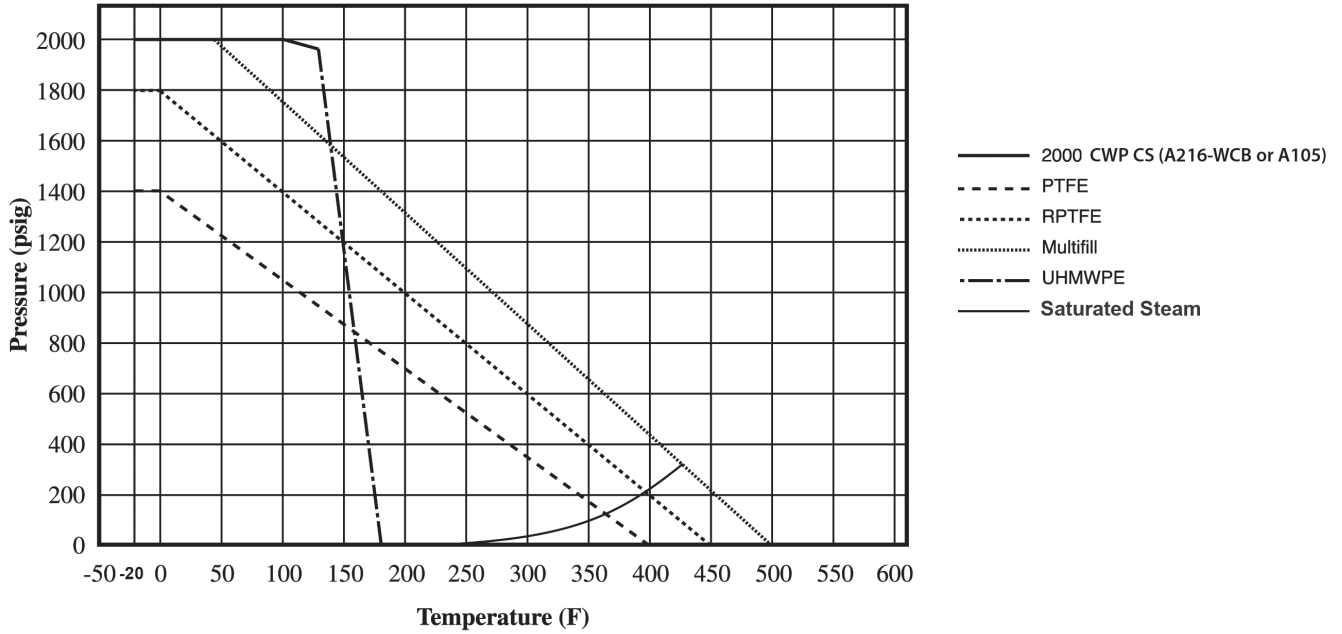
Cv FACTORS FOR APOLLO VALVES (continued from M-3)

| VALVE | SIZE (IN.) | | | | | | | | | | | | | | |
|--------------------|------------|-----|-----|-----|----|------|-----|-----|-----|------|------|------|------|-------|-------|
| | 1/4 | 3/8 | 1/2 | 3/4 | 1 | 1.25 | 1.5 | 2 | 2.5 | 3 | 4 | 6 | 8 | 10 | 12 |
| 77C-100/200 Series | 4.5 | 7.2 | 16 | 36 | 68 | 125 | 177 | 389 | 503 | -- | -- | -- | -- | -- | -- |
| 77D-140 Series | 4.5 | 7.2 | 16 | 36 | 68 | 125 | 177 | 389 | -- | -- | -- | -- | -- | -- | -- |
| 77D-640 Series | -- | -- | -- | 11 | 24 | 35 | -- | -- | -- | -- | -- | -- | -- | -- | -- |
| 77G-UL Series | 4.5 | 7.2 | 16 | 36 | 68 | 125 | 177 | 389 | 503 | -- | -- | -- | -- | -- | -- |
| 77W Series | -- | -- | 16 | 36 | 68 | 125 | 177 | 389 | -- | -- | -- | -- | -- | -- | -- |
| 77-100/200 Series | 8.1 | 15 | 15 | 51 | 68 | 125 | 177 | 389 | 503 | -- | -- | -- | -- | -- | -- |
| 79 Series | 8.5 | 8.5 | 9.8 | 32 | 44 | 66 | 148 | 218 | 440 | 390 | -- | -- | -- | -- | -- |
| 80 Series | 8.4 | 7.2 | 15 | 30 | 43 | 48 | 84 | 108 | 190 | 370 | -- | -- | -- | -- | -- |
| 82-100/200 Series | 8.1 | 14 | 26 | 51 | 68 | 120 | 170 | 376 | 510 | 996 | 1893 | -- | -- | -- | -- |
| 83A/83B Series | 8.1 | 14 | 26 | 51 | 68 | 120 | 170 | 376 | -- | -- | -- | -- | -- | -- | -- |
| 83R-100/200 Series | -- | -- | -- | -- | -- | -- | 170 | 376 | -- | 996 | 1893 | -- | -- | -- | -- |
| 86A/86B Series | 8.1 | 14 | 26 | 51 | 68 | 120 | 170 | 376 | -- | -- | -- | -- | -- | -- | -- |
| 86R-100/200 Series | -- | -- | -- | -- | -- | -- | 170 | 376 | -- | 996 | 1893 | -- | -- | -- | -- |
| 87A-100 Series | -- | -- | -- | -- | -- | -- | 86 | 104 | 234 | 375 | 673 | 1099 | 1902 | 3890 | -- |
| 87A-200 Series | -- | -- | 15 | 19 | 75 | -- | 195 | 410 | 545 | 1021 | 2016 | 4837 | 9250 | 15170 | 22390 |
| 87A-700 Series | -- | -- | -- | -- | -- | -- | 86 | 104 | 234 | 375 | 673 | 1099 | 1902 | 3890 | -- |
| 87A-900 Series | -- | -- | 15 | 19 | 75 | -- | 195 | 410 | 545 | 1021 | 2016 | 4837 | 9250 | 15170 | 22390 |
| 87A-F00 Series | -- | -- | -- | -- | 75 | -- | 195 | 410 | 545 | 1021 | 2016 | 4837 | -- | -- | -- |
| 87B-100 Series | -- | -- | -- | -- | -- | -- | -- | -- | 375 | 673 | 1099 | 1902 | 3890 | -- | -- |
| 87J-100 Series | -- | -- | -- | -- | -- | -- | 86 | 104 | 234 | 375 | 673 | 1099 | 1902 | 3890 | -- |
| 87J-200 Series | -- | -- | 15 | 19 | 75 | -- | 195 | 410 | 545 | 1021 | 2016 | 4837 | 9250 | 15170 | 22390 |
| 87J-700 Series | -- | -- | -- | -- | -- | -- | 86 | 104 | 234 | 375 | 673 | 1099 | 1902 | 3890 | -- |
| 87J-900 Series | -- | -- | 15 | 19 | 75 | -- | 195 | 410 | 545 | 1021 | 2016 | 4837 | 9250 | 15170 | 22390 |
| 87K-100 Series | -- | -- | -- | -- | -- | -- | 86 | 104 | 234 | 375 | 673 | 1099 | 1902 | 3890 | -- |
| 87K-200 Series | -- | -- | 15 | 19 | 75 | -- | 195 | 410 | 545 | 1021 | 2016 | 4837 | 9250 | 15170 | 22390 |
| 87K-700 Series | -- | -- | -- | -- | -- | -- | 86 | 104 | 234 | 375 | 673 | 1099 | 1902 | 3890 | -- |
| 87K-900 Series | -- | -- | 15 | 19 | 75 | -- | 195 | 410 | 545 | 1021 | 2016 | 4837 | 9250 | 15170 | 22390 |
| 88A-100 Series | -- | -- | -- | -- | -- | -- | 86 | 104 | 234 | 375 | 673 | 1099 | 1902 | 3890 | -- |
| 88A-200 Series | -- | -- | 15 | 19 | 75 | -- | 195 | 410 | 545 | 1021 | 2016 | 4837 | 9250 | 15170 | 22390 |
| 88A-700 Series | -- | -- | -- | -- | -- | -- | 86 | 104 | 234 | 375 | 673 | 1099 | 1902 | 3890 | -- |
| 88A-900 Series | -- | -- | 15 | 19 | 75 | -- | 195 | 410 | 545 | 1021 | 2016 | 4837 | 9250 | 15170 | 22390 |
| 88A-F00 Series | -- | -- | -- | -- | 75 | -- | 195 | 410 | 545 | 1021 | 2016 | 4837 | -- | -- | -- |
| 88B-100 Series | -- | -- | -- | -- | -- | -- | -- | -- | 375 | 673 | 1099 | 1902 | 3890 | -- | -- |
| 89-100 Series | 8.4 | 7.2 | 15 | 30 | 43 | 48 | 84 | 108 | 190 | 370 | -- | -- | -- | -- | -- |
| 9A-100 Series | 8.3 | 6.7 | 5.7 | 10 | 16 | 25 | 40 | 62 | -- | -- | -- | -- | -- | -- | -- |
| 90-100 Series | 8.3 | 6.7 | 5.7 | 10 | 16 | 25 | 40 | 62 | -- | -- | -- | -- | -- | -- | -- |
| 92-100 Series | 8.3 | 6.7 | 5.7 | 10 | 16 | 25 | 40 | 62 | -- | -- | -- | -- | -- | -- | -- |
| 93-100 Series | 8.3 | 6.7 | 5.7 | 10 | 16 | 25 | 40 | 62 | -- | -- | -- | -- | -- | -- | -- |
| 94A-100/200 Series | 6 | 7 | 19 | 34 | 50 | 104 | 268 | 309 | 629 | 1018 | 1622 | -- | -- | -- | -- |
| 96-100 Series | 8.3 | 6.7 | 5.7 | 10 | 16 | 25 | 40 | 62 | -- | -- | -- | -- | -- | -- | -- |
| 399-100 Series | 8.4 | 7.2 | 15 | 30 | 43 | 48 | 84 | 108 | 190 | 370 | -- | -- | -- | -- | -- |
| 489-100 Series | 8.4 | 7.2 | 15 | 30 | 43 | 48 | 84 | 108 | 190 | 370 | -- | -- | -- | -- | -- |

2000 CWP

(CS) ASTM A216-WCB OR ASTM A105

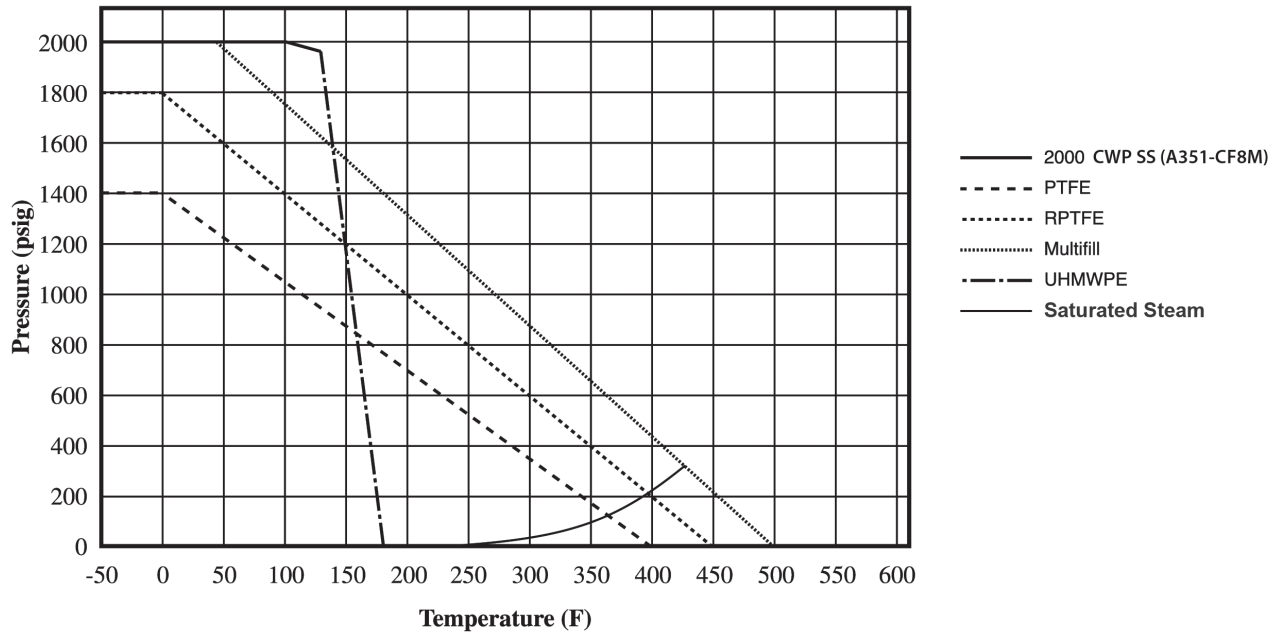
GRAPH 13



2000 CWP

(SS) ASTM A351-CF8M

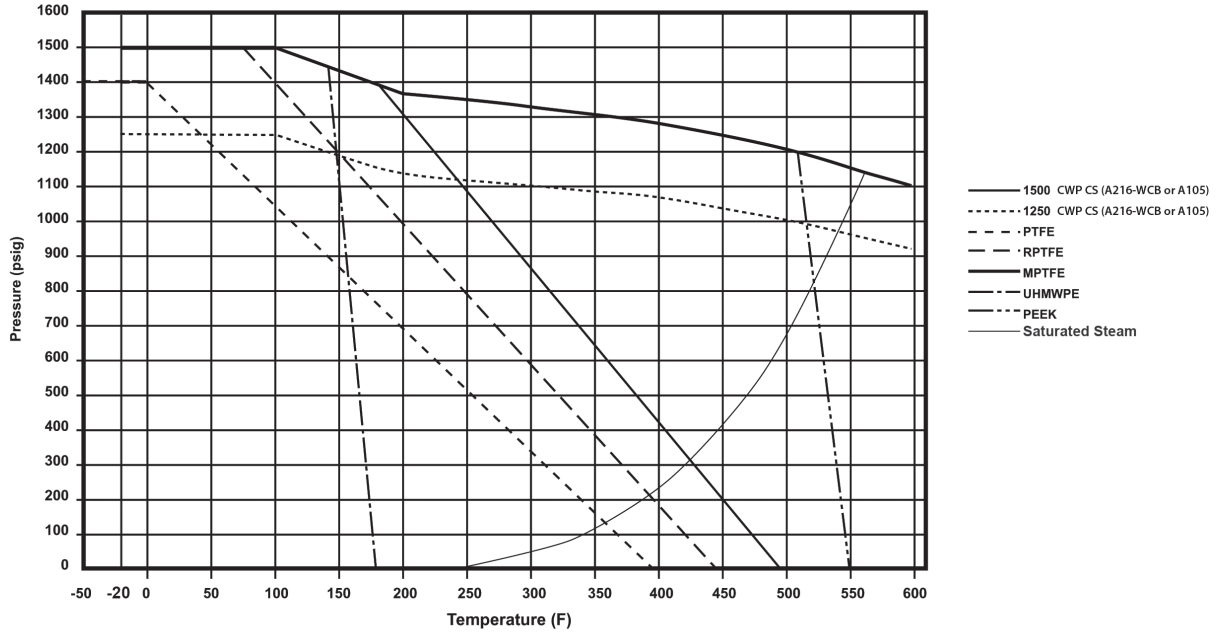
GRAPH 14



1500 CWP

(CS) ASTM A216-WCB OR ASTM A105

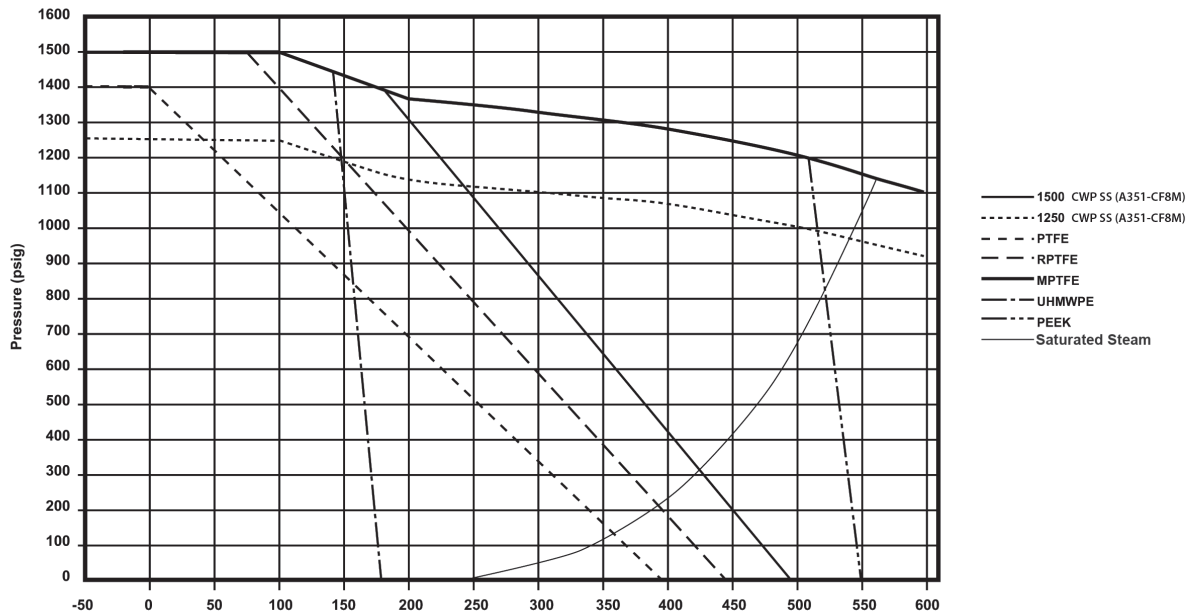
GRAPH 11



1500 CWP

(SS) ASTM A351-CF8M

GRAPH 12

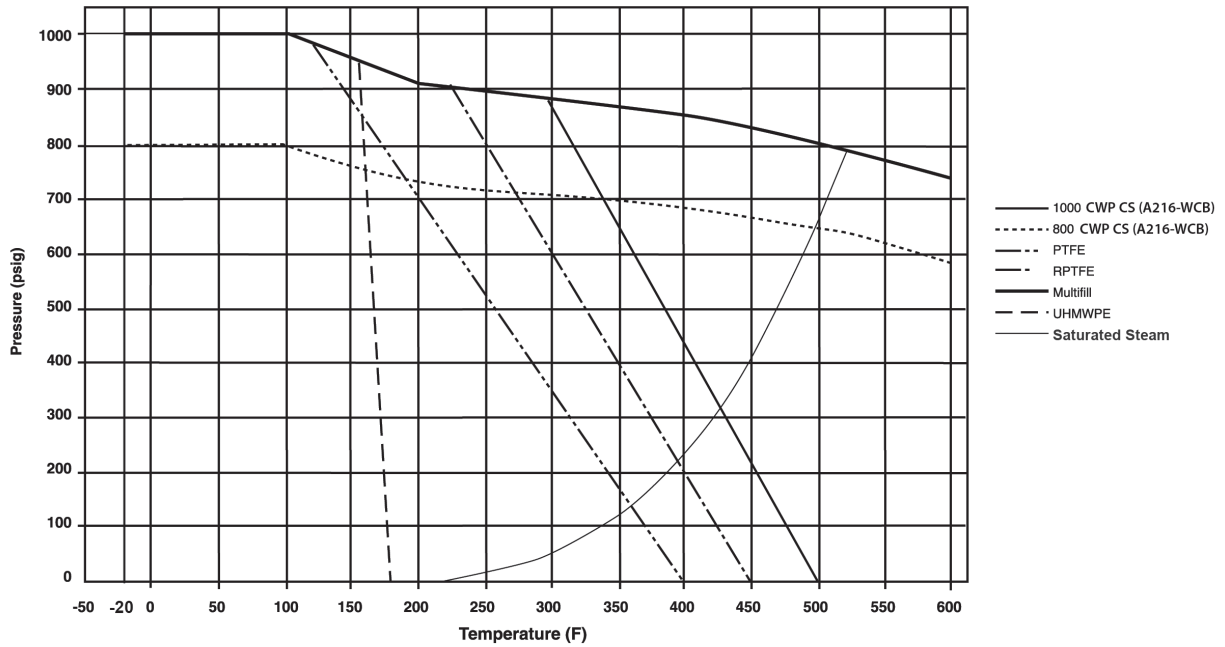


PRESSURE/TEMPERATURE RATINGS ENGINEERING DATA

1000 CWP

(CS) ASTM A216-WCB

GRAPH 7



1000 CWP

(SS) ASTM A351-CF8M

GRAPH 8

